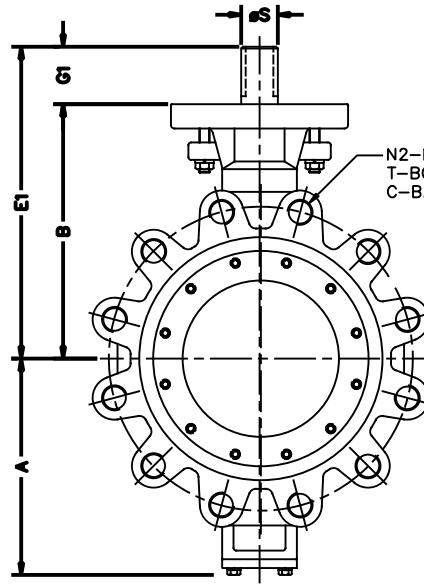
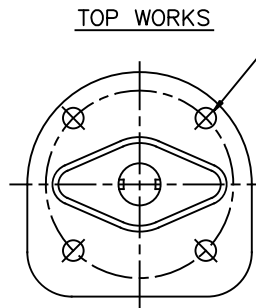
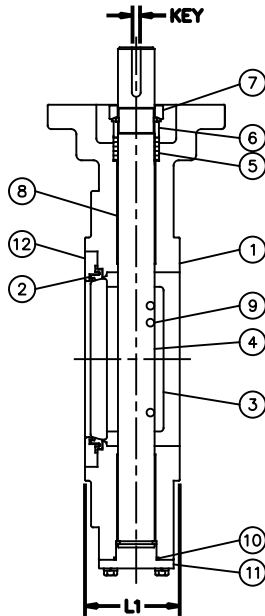


N1-NUMBER OF HOLES
H1-HOLE DIA.
C-B.C.D

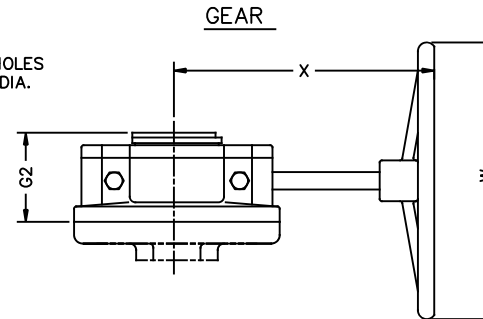


N2-NUMBER OF TAP HOLES
T-BOLT DIA.
C-B.C.D



TOP WORKS

M-HOLE DIA.
P-NUMBER OF HOLES
R-BOLT CIRCLE DIA.



GEAR

No.	Part Name	Material
1	Body	A216 WCB
2	Seat	MTFE
3	Disc	A351 CF8M
4	Stem	17-4PH
5	Packing	PTFE
6	Packing Gland	316SS
7	Gland Flange	A351 CF8M
8	Bush Bearing	A240-316 & RTFE
9	Disc Pin	17-4PH
10	Cap Packing	PTFE
11	Cap	A216 WCB
12	Seat Retainer	A216 WCB

HP1 = WAFER
HP2 = LUG
TRIM = 663B

Test Pressure(Psi-G) API 598		
	Hydraulic	Air
Shell	Seat	Seat
2225	1650	-

File No. P600WLF06_08
Scale DO NOT SCALE
Date of Issue 2014-10-13
Rev. 1

Title HIGH PERFORMANCE VALVE 600#
WAFER & LUG TYPE
DYG No. P600WL-060-080-663B

Drawn by Kim,S.S
Checked by Byeon,J.S
Approved by Choi,J.Y

No.	Revision	Date

SIZE (inch)	A	B	G1	E1	L1	C	T	FLANGED DRILLING		TOP WORKS				KEY	GEAR		
								WAFER N2	LUG N2	M	P	R	S		G2	X	øW
6	8.38	9.45	2.24	11.69	3.07	11.50	1"X8UNC	4	12	0.55	4	5.00	1.374	0.31 X 0.31	3.74	8.98	11.02
8	9.76	11.42	2.99	14.41	4.06	13.75	1-1/8"X8UN	4	12	0.83	4	6.50	1.874	0.50 X 0.50	5.04	12.60	15.12

NOTE.
1. DESIGN : ANSI B16.34 & API 609
2. FLANGE CONNECTION : ANSI B16.5 CLASS 600
3. FACE TO FACE DIMENSION :
WAFER , LUGGED TYPE - API 609 CATEGORY B



THE INFORMATION CONTAINED IN THIS DRAWING IS THE SOLE PROPERTY OF PRATT INDUSTRIAL. ANY REPRODUCTION IN PART OR AS A WHOLE WITHOUT THE WRITTEN PERMISSION OF PRATT INDUSTRIAL IS PROHIBITED.