

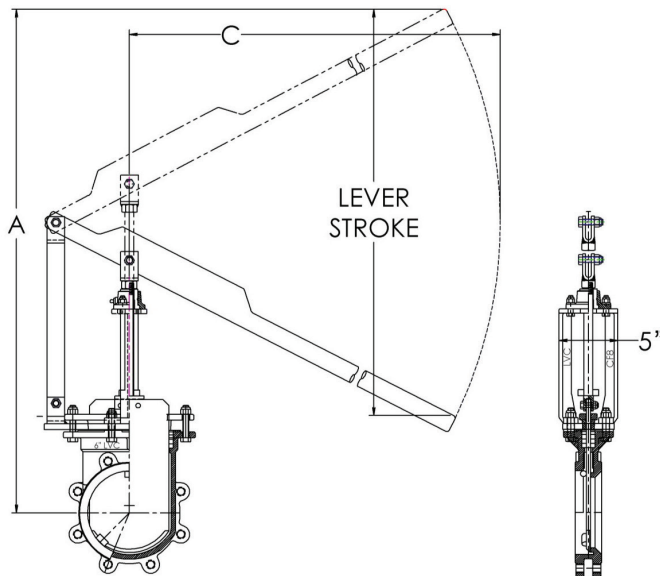
675 Mitchell Avenue
Woodland, WA 98674
Phone: 360-225-1230
888-256-5779
Fax: 360-225-1235
www.henrypratt.com



Features

- Lever operators can be either factory installed or supplied in kit form for field installation.
- Lever operators are not recommended on metal seated valves above 8”.
- O-ring resilient seal in seat available.

Note: Lever operators are not recommended on Figures 77, 53 or 65 resilient seated valves.



Lever Dimensions (Inches)

Valve Size	A	Lever Stroke	C
2	26	18	19
3	31	23	25
4	36	27	31
6	46	34	37
8	52	38	40

The trademarks, logos and service marks displayed in this document herein are the property of Henry Pratt Company, LLC, its affiliates or other third parties. Products above marked with a section symbol (§) are subject to patents or patent applications. For details, visit www.mwppat.com.

Copyright © 2016 Henry Pratt Company, LLC. All Rights Reserved.
Form 13255 9/2016