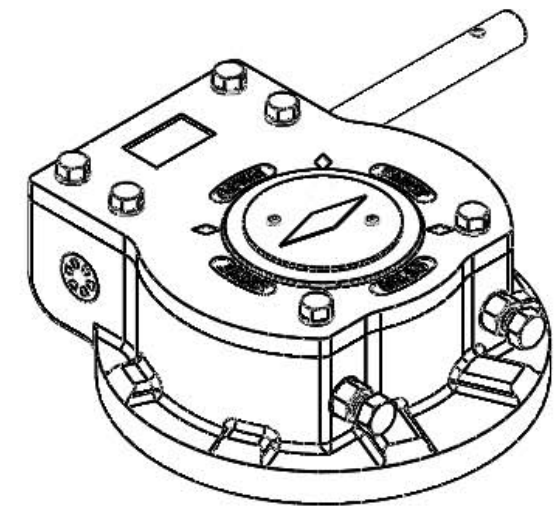
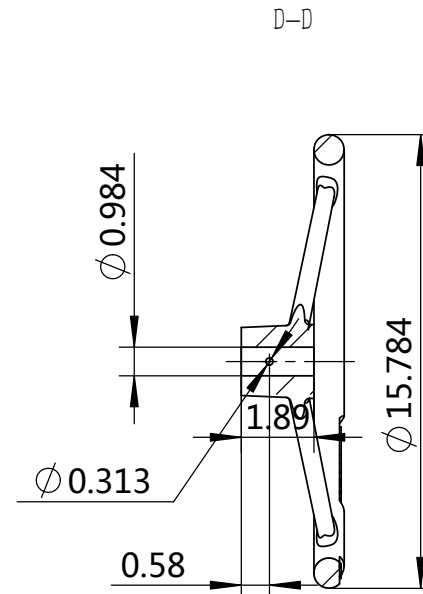
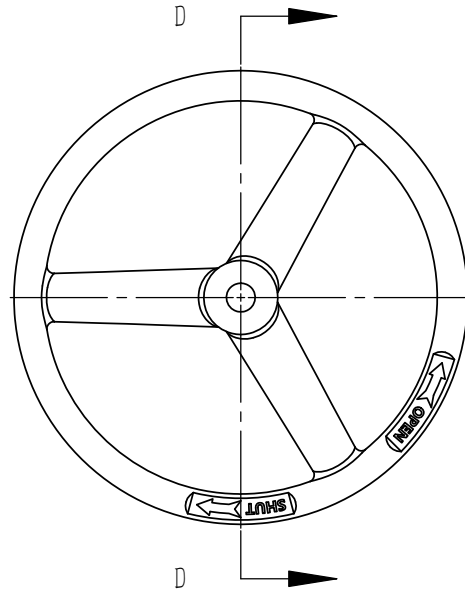
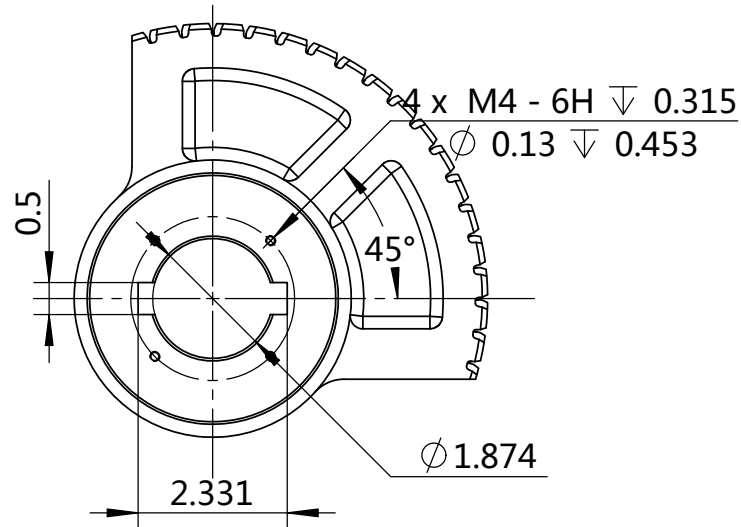


Stem and Key 24"



Mod.	Valve	Techical Data	
EM 50	PRATT-24"	Max. Output Torque (lbf-in)	44250
		Max. Input Torque (lbf-in)	2400
		Ratio	52:1
		Weight	37Kg

PROJECT NAME: Gears		Material:	 Pratt Industrial 3700 Oakes Drive, Suite B Emporia, KS 66801
SIGNATURE	DATE	WEIGHT: Kg	
DESIGN	14.05.05	Q.A.:	TITLE: Gear Drawing
CHK'D		Phase marker	DWG NO. EM50-00
CRAFT		A	A3
APPR		REV:	SCALE: 1:5
			PAGE: 1 OF 1