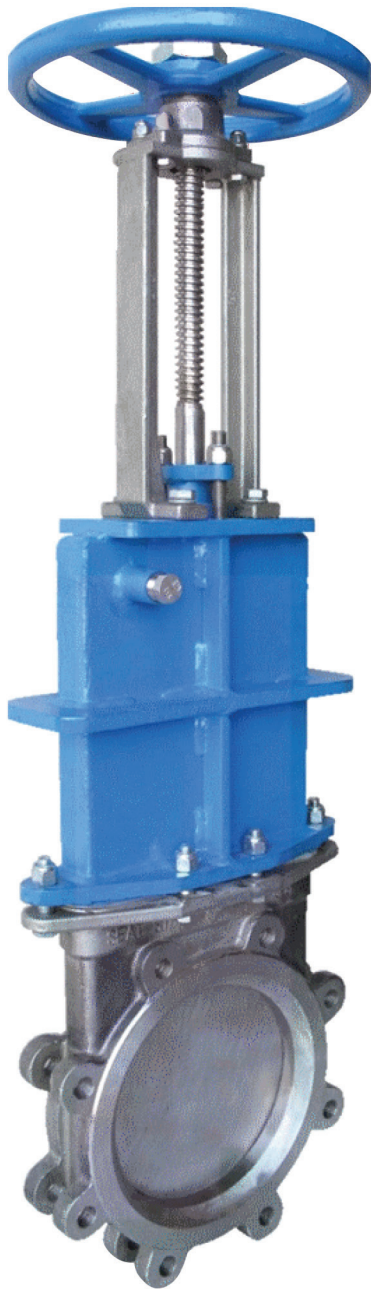


LVC Figure 193 Bonneted Metal Seated Knife Gate Valve



Features

- Bonneted knife gate valves are ideally suited to reduce fugitive emissions and packing leakage.
- Cast stainless steel body, gland and yoke.
- Wiper between body and bonnet prevents solids from entering bonnet.
- Bonnet design pressure same as valve pressure rating of 150 PSI.
- Standard TFE lubricated synthetic packing (TLSP) rated for 500° F and a pH range of 3-11.
- Heavy duty body design resists deflection from line loads and internal pressure.
- Gate design withstands full 150 PSI rated pressure as required by MSS SP-81.
- Body cavity, seat configuration, and beveled gate design provide shut off capability in thick media such as pulp stock and slurries, or solid media like pellets and powders.
- Heavy duty cast stainless steel yoke prevents bending or twisting under extreme loads.
- Easy conversion from handwheel operator to pneumatic or hydraulic cylinder, bevel gear, or electric motor operator using existing cast yoke.
- Enclosed bronze stem bushing reduces operating torque and protects the stem bushing in harsh environments.
- Hard faced seat available to prevent galling in high cycle and/or high end pressure or abrasive applications.
- V-Port or O-Ring resilient seats available to suit specific applications.
- Precision machined stainless steel gate provides superior seating capability.
- Stainless steel stem provides corrosion resistance.
- Flange drilling meets ANSI B16.5-150 LB standards with all tapped holes and serrated gasket faces.
- Full port ID.
- MSS SP-81 Stainless Steel, Bonnetless, Flanged Knife Gate Valves.
- AWWA C520-10 Knife Gate Valves, 2in.—96in.

LVC Figure 193 Bonneted Metal Seated Knife Gate Valve

Materials of Construction

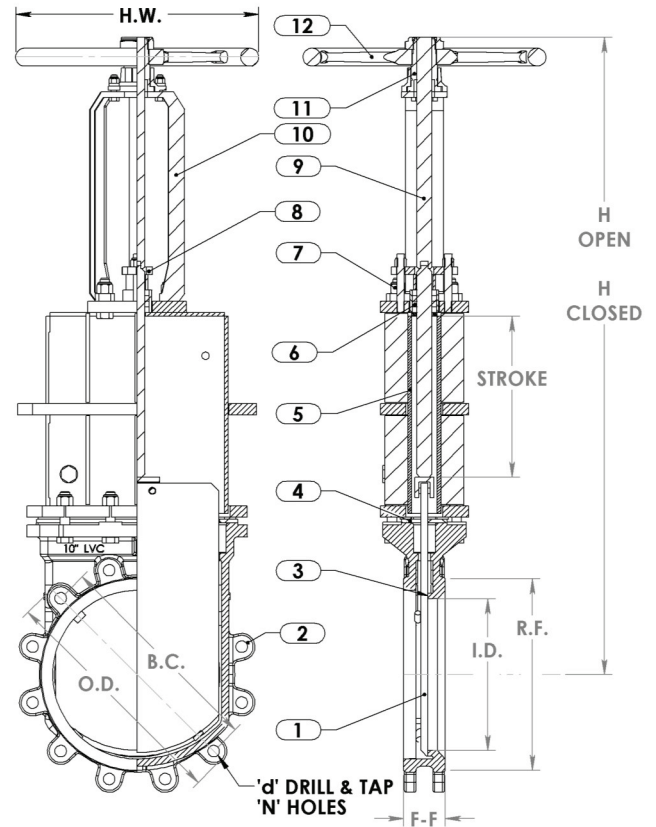
| Model | 193 |
|--------------|--------|
| 1 Gate | SS |
| 2 Body | SS |
| 3 Seat | SS |
| 4 Wiper | UHMW |
| 5 Bonnet | SS/CS |
| 6 Packing | TLSP* |
| 7 Bolts | SS |
| 8 Gland | SS |
| 9 Stem | SS |
| 10 Yoke | SS |
| 11 Stem Nut | Bronze |
| 12 Handwheel | DI |

*TLSP = TFE Lubricated Synthetic Packing.

SS = Standard with 304 or 316 stainless steel.

Other alloys available.

Normally supplied with handwheel for manual operation, but can be modified for chainwheel, bevel gear, fail safe spring cylinder, electric motor, hydraulic or pneumatic cylinder operator.



Dimensions (Inches) and Weights

| | Size | 2 | 3 | 4 | 6 | 8 | 10 | 12 | 14 | 16 | 18 | 20 | 24 |
|---------------------|-------|---------|---------|---------|---------|---------|--------|--------|--------|--------|----------|----------|----------|
| Face-to-Face | F-F | 1-7/8 | 2 | 2 | 2-1/4 | 2-3/4 | 2-3/4 | 3 | 3 | 3-1/2 | 3-1/2 | 4-1/2 | 4-1/2 |
| Flange OD | OD | 6 | 7-1/2 | 9 | 11 | 13-1/2 | 16 | 19 | 21 | 23-1/2 | 25 | 27-1/2 | 32 |
| Bolt Circle | BC | 4-3/4 | 6 | 7-1/2 | 9-1/2 | 11-3/4 | 14-1/4 | 17 | 18-3/4 | 21-1/4 | 22-3/4 | 25 | 29-1/2 |
| Flanged Raised Face | RF | 3-5/8 | 5 | 6-3/16 | 8-1/2 | 10-5/8 | 12-3/4 | 15 | 16-1/4 | 18-1/2 | 21 | 23 | 27-1/4 |
| Inside Diameter | ID | 2 | 3 | 4 | 6 | 8 | 10 | 12 | 13-1/4 | 15-1/4 | 17-1/4 | 19-1/4 | 23-1/4 |
| No. of Bolt Holes | N | 4 | 4 | 8 | 8 | 8 | 12 | 12 | 12 | 16 | 16 | 20 | 20 |
| Hole D&T Size | d | 5/8"-11 | 5/8"-11 | 5/8"-11 | 3/4"-10 | 3/4"-10 | 7/8"-9 | 7/8"-9 | 1"-8 | 1"-8 | 1-1/8"-7 | 1-1/8"-7 | 1-1/4"-7 |
| C/L to Top-Closed | H-CLS | 19 | 21-3/4 | 25-3/8 | 30-1/4 | 35-9/16 | 41-3/8 | 47-3/4 | 58 | 64 | 70-1/4 | 74-1/2 | 88-1/2 |
| C/L to Top-Open | H-OPN | 21 | 25-1/4 | 29-7/8 | 37 | 44-1/8 | 51-7/8 | 61-1/2 | 72-1/4 | 80-1/2 | 88-1/4 | 94-1/4 | 112-1/4 |
| Handwheel Dia. | H/W | 12 | 12 | 12 | 12 | 12 | 16 | 16 | 20 | 20 | 20 | 20 | 20 |
| Weight - lbs | WT | 39 | 64 | 75 | 109 | 160 | 251 | 295 | 335 | 470 | 740 | 990 | 1400 |
| Stroke | S | 2-1/2 | 3-1/2 | 4-1/2 | 6-1/2 | 8-1/2 | 10-1/2 | 12-1/2 | 13-7/8 | 16 | 18 | 20-1/8 | 24-3/16 |

The trademarks, logos and service marks displayed in this document herein are the property of Henry Pratt Company, LLC, its affiliates or other third parties. Products above marked with a section symbol (§) are subject to patents or patent applications. For details, visit www.mwppat.com.

Copyright © 2016 Henry Pratt Company, LLC. All Rights Reserved.

Form 13250 9/2016