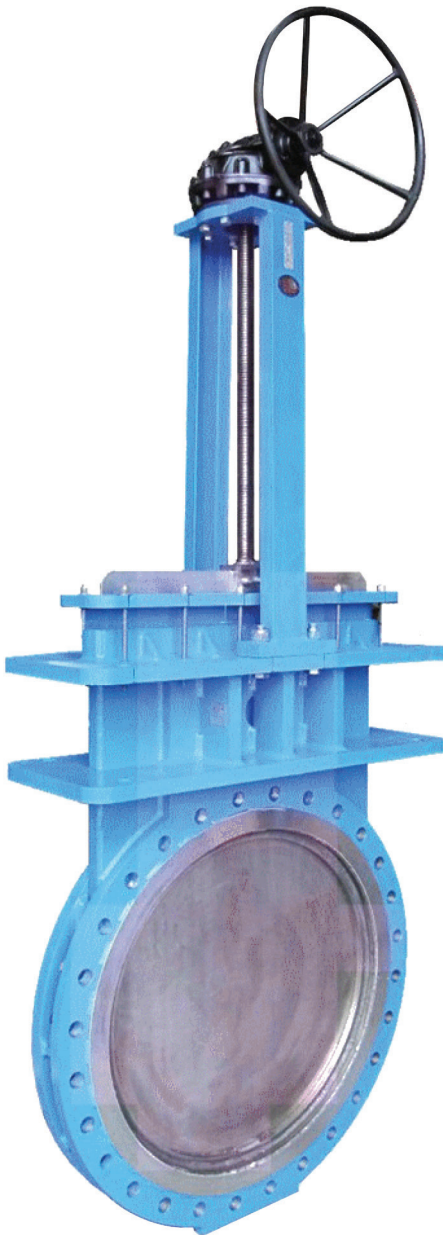




LVC Figure F77 Fabricated Large Diameter Knife Gate Valve

675 Mitchell Avenue
Woodland, WA 98674
Phone: 360-225-1230
888-256-5779
Fax: 360-225-1235
www.henrypratt.com

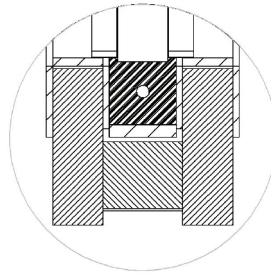
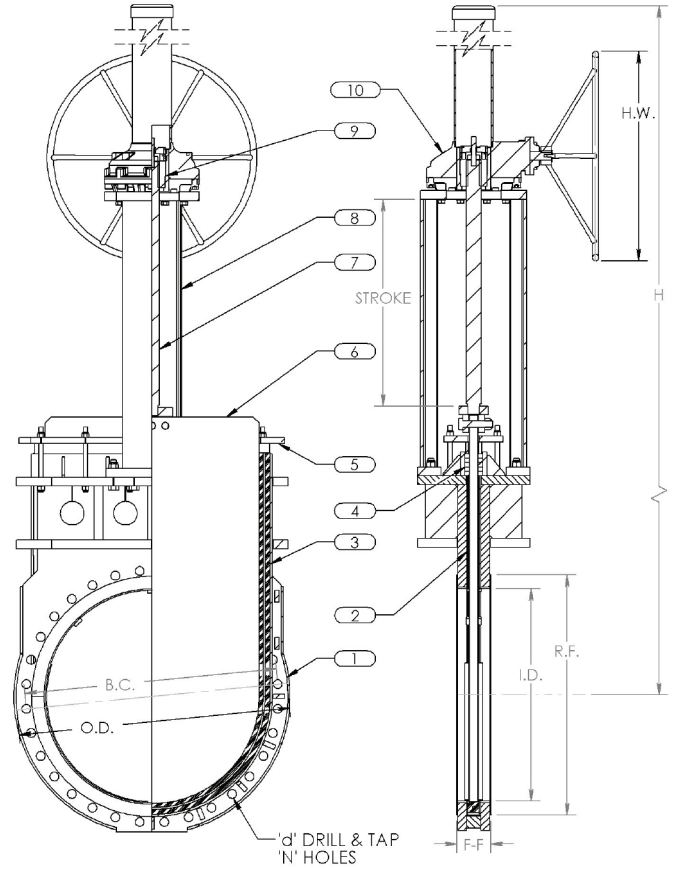


Features

- Fabricated heavy duty carbon steel body, flanges, packing gland, and yoke.
- All stainless steel construction available.
- Fabricated stainless steel liner, seat and raised face. Available in any weldable alloy.
- Precision machined stainless steel gate for superior seating capability. Available in other alloys.
- Bi-Directional Buna resilient seat standard. Also available in EPDM, Viton, Neoprene and other materials. See reverse side for temperature limits.
- Heavy duty designed body to resist deflection from line loads and internal pressure.
- Standard valves designed for 50 or 150 PSI CWP rating. Other pressure ratings also available.
- Heavy fabricated steel yoke will not bend or twist under extreme loads.
- Easy conversion from handwheel operator to hydraulic or pneumatic cylinder, bevel gear, chainwheel, electric motor, or fail safe spring operator.
- Enclosed bronze stem bushing provides reduced operating torque and protects the stem nut in harsh environments.
- Standard TFE lubricated synthetic packing (TLSP).
- Stainless steel stem provides corrosion resistance.
- Sizes include 30", 36", 42", 48", 54", 60", 72", 96" and larger.

LVC Figure F77 Fabricated Large Diameter Knife Gate Valve

Materials Code	W44/W66	A44/A66	A77
Body Liner & RF	304/316	304/316	317
Flanges, Ext. Trim	Steel	304/316	317
Seat**	Buna	Buna	Buna
Gate	304/316	304/316	317
Packing Gland	Steel	304/316	317
Packing Bolting	304	304	304
Yoke	Steel	304/316	317
Stem & Clevis	304	304	304
Stem Nut	Bronze	Bronze	Bronze
Packing	TLSP	TLSP	TLSP



Model F77	
1	Body
2	Liner
3	Seat
4	Packing
5	Gland
6	Gate
7	Stem
8	Yoke
9	Stem Nut
10	Operator

**Material	Temp. Limits °F (°C)
Buna	-35 (-37) to 250 (121)
EPDM(P)	-65 (-54) to 300 (149)
Neoprene	-40 (-40) to 225 (107)
Viton	-20 (-29) to 400 (204)

Dimensions (Inches)

	Size	30	30	36	36	42	42	48	48	54
Pressure Rating		50psi	150psi	50psi	150psi	50psi	150psi	50psi	150psi	50psi
Face-to-Face	F-F	4-5/8	5	5	5-3/4	5-5/8	6-1/4	5-5/8	6-3/8	6-1/2
Flange OD	OD	38-3/4	38-3/4	46	46	53	53	59-1/2	59-1/2	66-1/4
Bolt Circle	BC	36	36	42-3/4	42-3/4	49-1/2	49-1/2	56	56	62-3/4
Flange Raised Face	RF	33-3/4	33-3/4	40-1/4	40-1/4	47	47	52-1/2	53-1/2	59-1/2
Inside Diameter	ID	30	29-1/4	36	36	41-1/4	41-1/4	47-1/2	47-1/2	54
No. of Bolt Holes	N	28	28	32	32	36	36	44	44	44
Hole D&T Size	D	1-1/4"-7	1-1/4"-7	1-1/2"-6	1-1/2"-6	1-1/2"-6	1-1/2"-6	1-1/2"-6	1-1/2"-6	1-3/4"-5
C/L to Top	H	111	111	132	133-9/16	155-1/2	158-3/8	164-1/2	171	189-1/2
Handwheel Dia.	H/W	20	20	20	20	36	36	36	36	36
Stroke	S	30-1/4	29-1/2	36-1/4	36-1/4	41-1/2	41-1/2	47-3/4	47-3/4	54-1/4

The trademarks, logos and service marks displayed in this document herein are the property of Henry Pratt Company, LLC, its affiliates or other third parties. Products above marked with a section symbol (§) are subject to patents or patent applications. For details, visit www.mwppat.com.

Copyright © 2016 Henry Pratt Company, LLC. All Rights Reserved.
Form 13251 9/2016