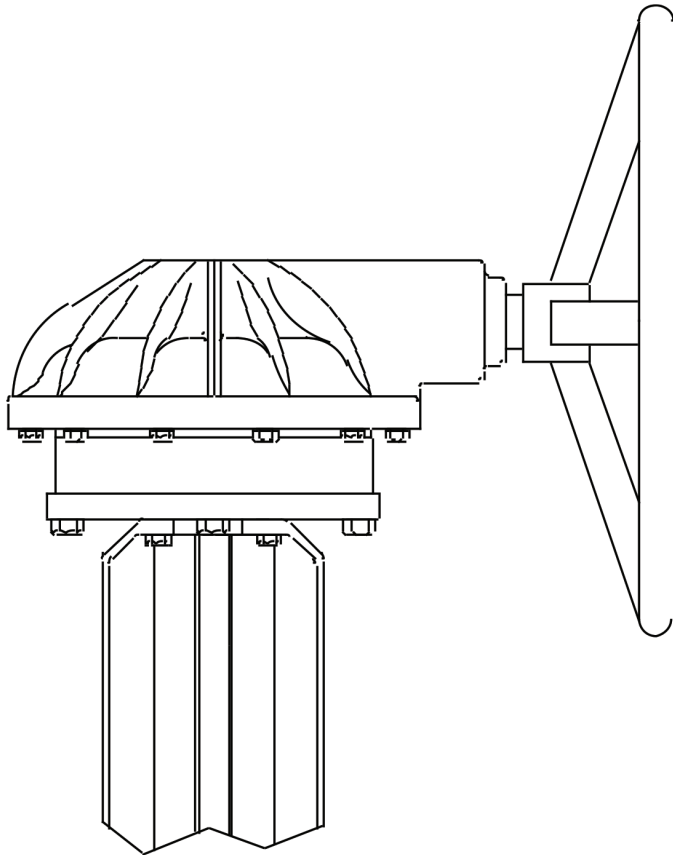
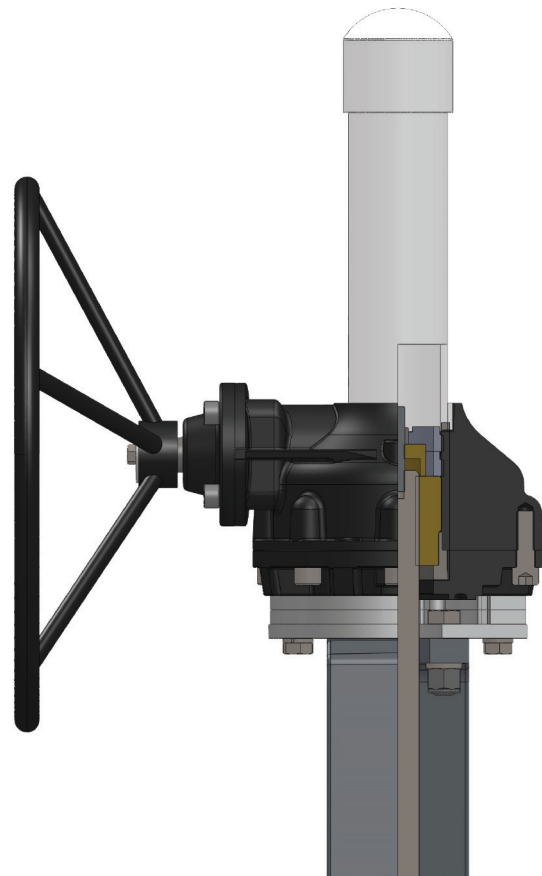


675 Mitchell Avenue
Woodland, WA 98674
Phone: 360-225-1230
888-256-5779
Fax: 360-225-1235
www.henrypratt.com

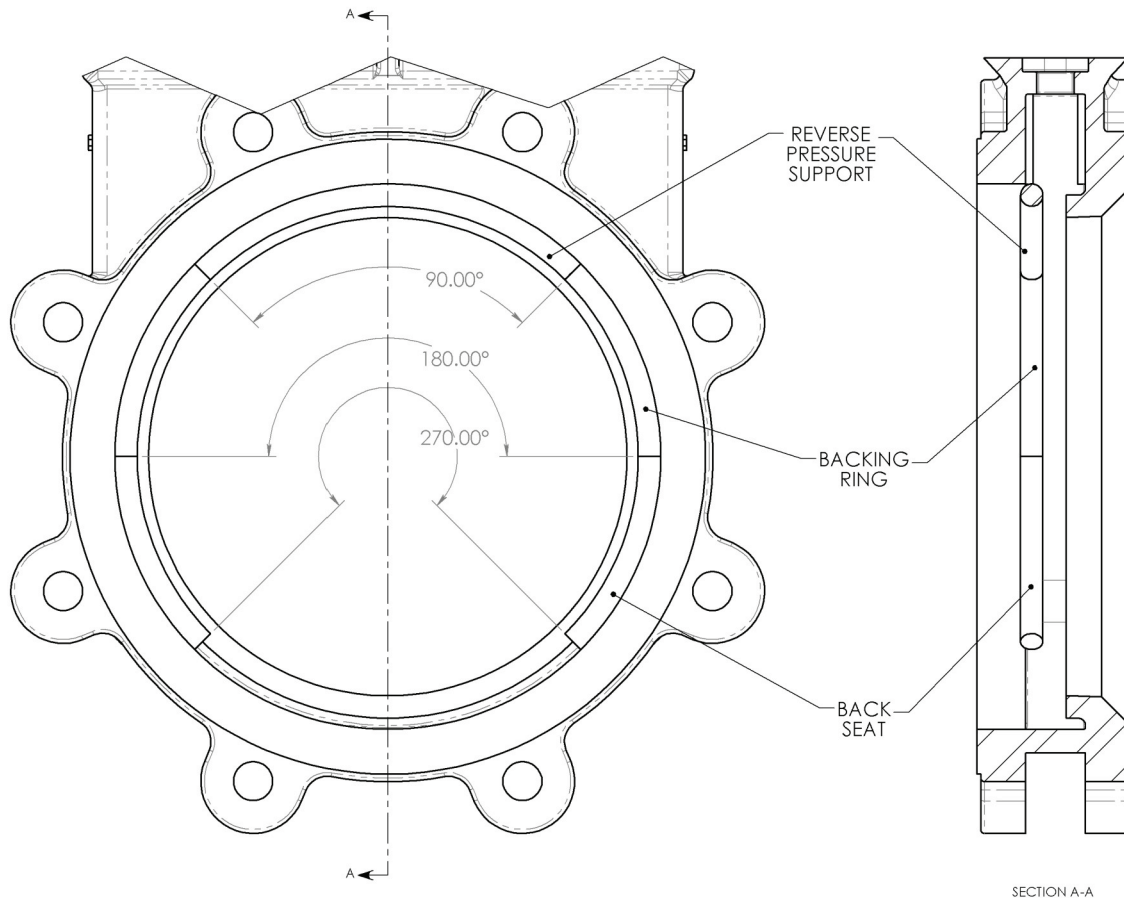


Note

- 3:1 Ratio can be used on valves sized up to 12"
- 4:1 Ratio can be used on valves sized 14" and above.
- Bevel gear operators are recommended for Figures 53, 63, 65 and 77 resilient seated knife gate valves 12" and above.
- 6:1, 8:1, 15:1 and 24:1 ratios are available.
- Handwheels are included, and standard on all bevel gear operators.



Reverse Pressure Support – Figures 93, 193, 82



SECTION A-A

Reverse pressure supports are designed to protect the gate in the event of reverse pressure or a backflow pressure surge. They do not provide reverse flow seat sealing capabilities. Reverse pressure supports are offered as an option and do not come standard on knife gate valves. For more information, please contact the factory. We are able to place reverse pressure supports wherever requested. However, if no location is requested, our standard configuration is at 90°. Other configurations available are 180° and 270°.

Reverse pressure guide 90° – can be used for reverse pressure up to 20 psi, no reverse leak rate guarantee; no UHMW wear strip.

Backing ring 180° – can be used for full rated reverse pressure without gate deformation, no reverse leak rate guarantee; UHMW wear strip is not standard.

Back seat 270° – can be used for full rated reverse pressure without gate deformation, zero reverse leak rate guarantee up to 50 psi with O-ring; UHMW wear strip is standard.

Double metal seat (one seat is replaceable) – can be used for full rated reverse pressure without gate deformation, zero reverse leak rate guarantee up to full rated pressure with O-ring; UHMW wear strip is standard above 24”.

The trademarks, logos and service marks displayed in this document herein are the property of Henry Pratt Company, LLC, its affiliates or other third parties. Products above marked with a section symbol (§) are subject to patents or patent applications. For details, visit www.mwppat.com.

Copyright © 2016 Henry Pratt Company, LLC. All Rights Reserved.

Form 13238 9/2016