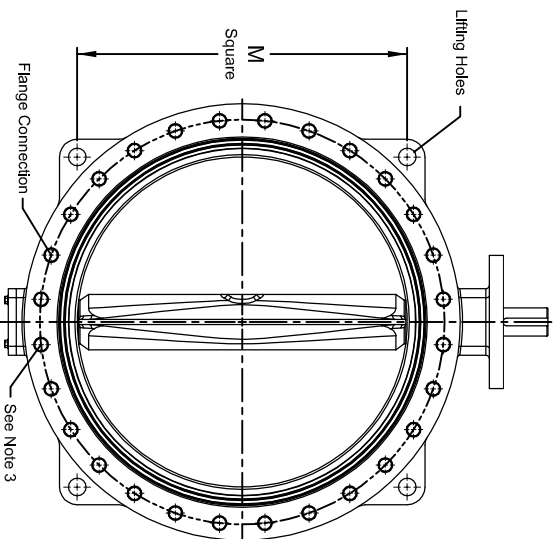
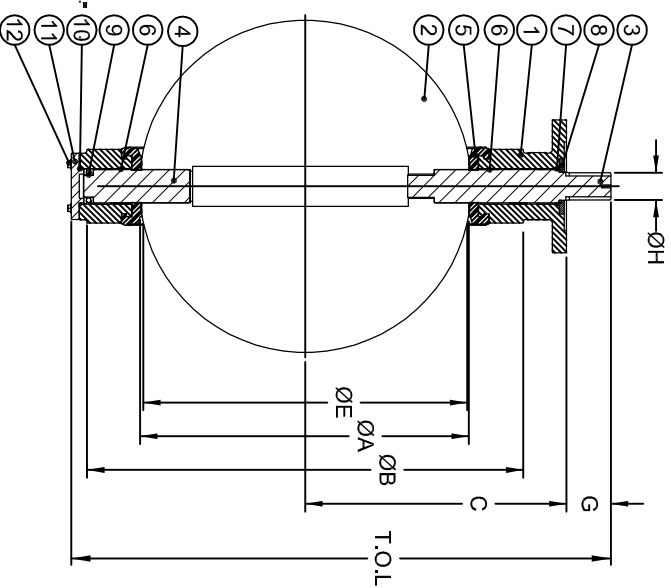


Top View



Flow View



Section View

TECHNICAL DATA	
NOMINAL DIAMETER	INCH 30"-48"
	DN 750-1200
NOMINAL PRESSURE	DN350-DN600 150 PSI
TESTING PRESSURE	SHELL TEST 225 PSI
	SEALING TEST 165 PSI

Valve Dimensions

Valve Size	DN	Inch	ØA	ØB	C	D	ØE	ØF	G	ØH	T	T.O.L.	Key	Top Plate Drilling		Flange Connection		Lifting Data				
														Bolt Circle	No. of Holes	Hole Dia.	Bolt Circle	No. of Holes	Series Wafer Tap	Series Lug Tap	Lifting Holes	M
DN750 30"	30"	29.3	38.8	23.2	6.5	28.8	11.8	3.95	2.5	2.13	48	5/8"x5/8"(2)	10	8	.71	36	28	1-3/8	1 1/4-7unc	1 1/4-7unc	Ø1.57	29.3
DN900 36"	36"	34.6	46.0	28.3	7.95	34.7	13.8	4.50	3.15	2.36	58.24	7/8"x5/8"(2)	11.73	8	.91	42.75	32	1-5/8	1 1/2-6unc	1 1/2-6unc	Ø1.77	34.1
DN1050 42"	42"	40.9	53	32.1	9.88	40.3	13.8	5.3	3.5	2.6	67.2	1"x3/4"(2)	11.73	8	.91	49.5	36	1-5/8	1 1/2-6unc	1 1/2-6unc	Ø1.97	39.4
DN1200 48"	48"	46.7	59.5	36.2	10.87	46	16.3	5.98	4.33	2.75	75.20	1 1/4"x7/8"(2)	14.02	8	1.30	56	44	1-5/8	1 1/2-6unc	1 1/2-6unc	Ø2.17	43.7

Valve Parts			
Item No.	Name	Material	No. Req'd
1	Body	DI	1
2	Disc	DI/DI+Nylon 11/SS316/Bronze	1
3	Upper Stem	SS431	1
4	Lower Stem	SS431	1
5	Seat	NBR/EPDM/ITTON	1
6	Bushing	Bronze	1 Set
7	Stem Seals	Bronze	1 Set
8	Stem Retainer	Steel	1
9	Bearing	Steel	1
10	End Cap Seal	Steel	1
11	End Cap	Steel	1
12	End Cap Bolts	Steel	4

REV.	DATE	BY	DESCRIPTION	APP.

PRATT **PRATT INDUSTRIAL**

Series Lug&Wafer ASME B16.1 Class 125 Flange
30"-48"
Resilient Seated Butterfly Valve

SCALE: _____ DATE: 2014/08/06

DRAWN BY: _____ CHECKED BY: _____

APPROVED BY: _____

DRAW. NO. PRATT-BF-(30"-48")-00 REV. _____

A/C