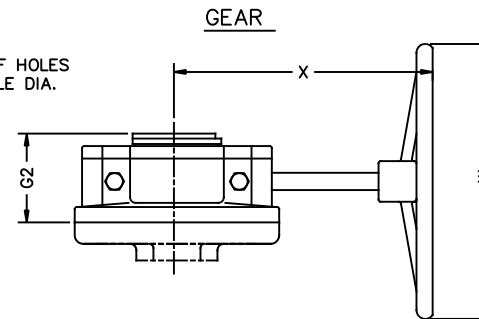
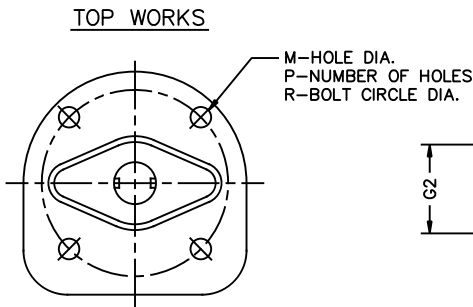
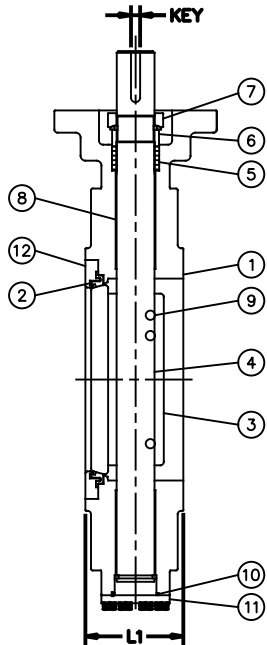


No.	Part Name	Material
1	Body	A216 WCB
2	Seat	MTFE
3	Disc	A351 CF8M
4	Stem	17-4PH
5	Packing	PTFE
6	Packing Gland	316SS
7	Gland Flange	A351 CF8M
8	Bush Bearing	A240-316 & RTFE
9	Disc Pin	17-4PH
10	Cap Packing	PTFE
11	Cap	A216 WCB
12	Seat Retainer	A216 WCB

HP1 = WAFER
 HP2 = LUG
 TRIM = 663B

Test Pressure(Psi-G) API 598		
	Hydraulic	Air
Shell	2225	1650
Seat	1650	-
Seat	-	-



SIZE (inch)	A	B	G1	E1	L1	C	T	FLANGED DRILLING		TOP WORKS				KEY	GEAR		
								WAFLER N2	LUG N2	M	P	R	S		G2	X	øW
10	11.33	13.19	2.99	16.18	4.61	17.00	1-1/4"X8UN	4	16	0.83	4	6.50	1.874	0.50 X 0.50	5.04	12.60	15.12

NOTE:
 1. DESIGN : ANSI B16.34 & API 609
 2. FLANGE CONNECTION : ANSI B16.5 CLASS 600
 3. FACE TO FACE DIMENSION :
 WAFER , LUGGED TYPE - API 609 CATEGORY B

	File No.	Title HIGH PERFORMANCE VALVE 600# WAFLER & LUG TYPE		Scale DO NOT SCALE	Date of Issue 2014-10-13	Rev. 1
		Drawn by Kim, S.S	Checked by Byeon, J.S	Approved by Choi, J.Y	DWG No. P600WL10-663B	



THE INFORMATION CONTAINED IN THIS DRAWING IS THE SOLE PROPERTY OF PRATT INDUSTRIAL. ANY REPRODUCTION IN PART OR AS A WHOLE WITHOUT THE WRITTEN PERMISSION OF PRATT INDUSTRIAL IS PROHIBITED.