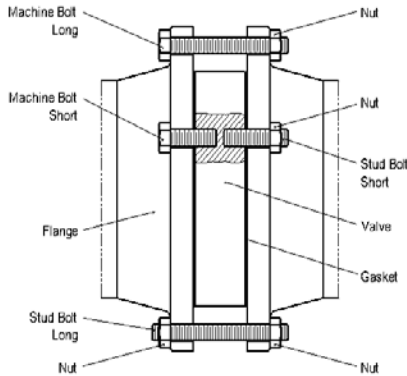
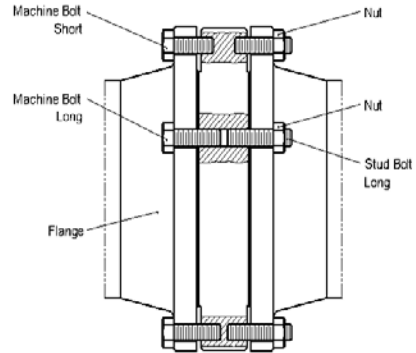


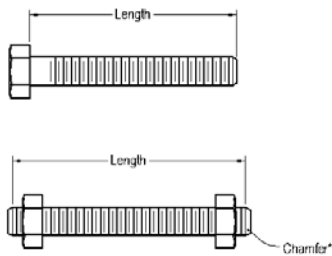
**WAFER BODY**



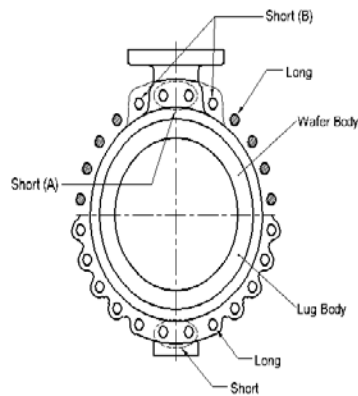
**LUG BODY**



**MACHINE BOLT & STUD BOLT**



\*Length of Stud Bolt does not include the Chamfer.



**CLASS 300 HIGH PERFORMANCE VALVE**

Valve Size	Bolt Size	WAFER BODY										LUG BODY									
		Machine Bolt Length(inch)					Stud Bolt Length(inch)					Machine Bolt Length(inch)					Stud Bolt Length(inch)				
		Short	Q'ty	Long	Q'ty	Nut Q'ty	Short	Q'ty	Long	Q'ty	Nut Q'ty	Short	Q'ty	Long	Q'ty	Nut Q'ty	Short	Q'ty	Long	Q'ty	Nut Q'ty
2	50	5/8"-11UNC	-	-	4 3/4	8	8	-	-	5 1/2	8	16	-	-	1 3/4	16	-	-	2 1/2	16	16
2.5	65	3/4"-10UNC	-	-	5 1/4	8	8	-	-	6 1/4	8	16	-	-	1 3/4	16	-	-	3	16	16
3	80	3/4"-10UNC	-	-	5 1/2	8	8	-	-	6 1/2	8	16	-	-	2	16	-	-	3	16	16
4	100	3/4"-10UNC	-	-	6	8	8	-	-	7	8	16	-	-	2 1/4	16	-	-	3 1/4	16	16
5	125	3/4"-10UNC	-	-	6 1/2	8	8	-	-	7 1/2	8	16	-	-	2 1/2	16	-	-	3 1/2	16	16
6	150	3/4"-10UNC	-	-	6 1/2	12	12	-	-	7 3/4	12	24	-	-	2 1/2	24	-	-	3 1/2	24	24
8	200	7/8"-9UNC	-	-	7 3/4	12	12	-	-	9	12	24	-	-	3	24	-	-	4 1/4	24	24
10	250	1"-8UNC	3	8	9	12	12	4 3/4	8	10 1/4	12	32	3	8	3 1/4	24	4 1/2	8	5	24	32
12	300	1 1/8"-8UN	3	8	9 1/2	12	12	5	8	11	12	32	3	8	3 3/4	24	5	8	5 1/4	24	32
14	350	1 1/8"-8UN	3	8	10 3/4	16	16	4 3/4	8	12 1/2	16	40	3	8	4 1/4	32	4 3/4	8	5 3/4	32	40
16	400	1 1/4"-8UN	3	8	12	16	16	5 1/4	8	13 3/4	16	40	3	8	4 1/2	32	5 1/4	8	6 1/4	32	40
18	450	1 1/4"-8UN	3 1/4	8	12 3/4	20	20	5 1/2	8	14 1/2	20	48	3 1/4	8	5	40	5 1/2	8	7	40	48
20	500	1 1/4"-8UN	3 1/2	8	13 1/2	20	20	5 1/2	8	15 1/4	20	48	3 1/2	8	5	40	5 1/2	8	7	40	48
24	600	1 1/2"-8UN	4	8	15	20	20	6 1/4	8	17	20	48	4	8	5 1/2	40	6 1/4	8	7 3/4	40	48

<p>THE FORM, FIT, FUNCTION, AND DRAWINGS ARE THE SOLE PROPERTY OF PRATT INDUSTRIAL. ANY REPRODUCTION, PART OR AS A WHOLE, WITHOUT THE WRITTEN PERMISSION OF PRATT INDUSTRIAL IS PROHIBITED.</p>	No.	Revision	Date	Drawn by	Title	Rev.
	0		10-17-14	AC	HE Flange Bolting Chart Class 300	
				Checked by		Date of issue
				Approved by	DWG No. Doc No. : FBD-101714-2	Date of issue 10-17-14