



# LVC Figure 65 Urethane Lined Ductile Iron Body Knife Gate Valve

675 Mitchell Avenue  
Woodland, WA 98674  
Phone: 360-225-1230  
888-256-5779  
Fax: 360-225-1235  
www.henrypratt.com



## Features

- Heavy duty cast ductile iron body, packing gland and yoke for the most rugged service.
- Heavy duty solid lug body design.
- Urethane liner and seat provide bi-directional bubble tight seal across gate from 0 to 150 PSI.
- Seat is flush with the bottom of the port, eliminating pockets in the bottom of the valve to collect material in media such as slurries, pellets, or powders.
- Urethane liner is a one-piece, molded-in-place full body liner with integral seat for temperatures to 165°F.
- Stainless steel gate and stem provide corrosion resistance and durability.
- MSS SP-81 face-to-face and flange dimensions.
- Easy conversion from handwheel operator to hydraulic or pneumatic cylinder, bevel gear, chainwheel, electric motor, or fail safe spring cylinder operator using existing cast yoke.
- Enclosed bronze stem bushing provides reduced operating torque and protects the stem bushing in harsh environments.
- Superior packing arrangement provides improved sealing performance in high cycle applications.
- Full packing seal around gate minimizes the potential for packing leakage.
- Minimum 4 bolt packing gland to assure proper gland alignment in all sizes.
- Standard TFE lubricated synthetic packing (TLSP).
- Time proven urethane liner provides the best resistance in abrasive applications.
- Full port ID.
- MSS SP-81 Stainless Steel, Bonnetless, Flanged Knife Gate Valves.
- CRN Registered.

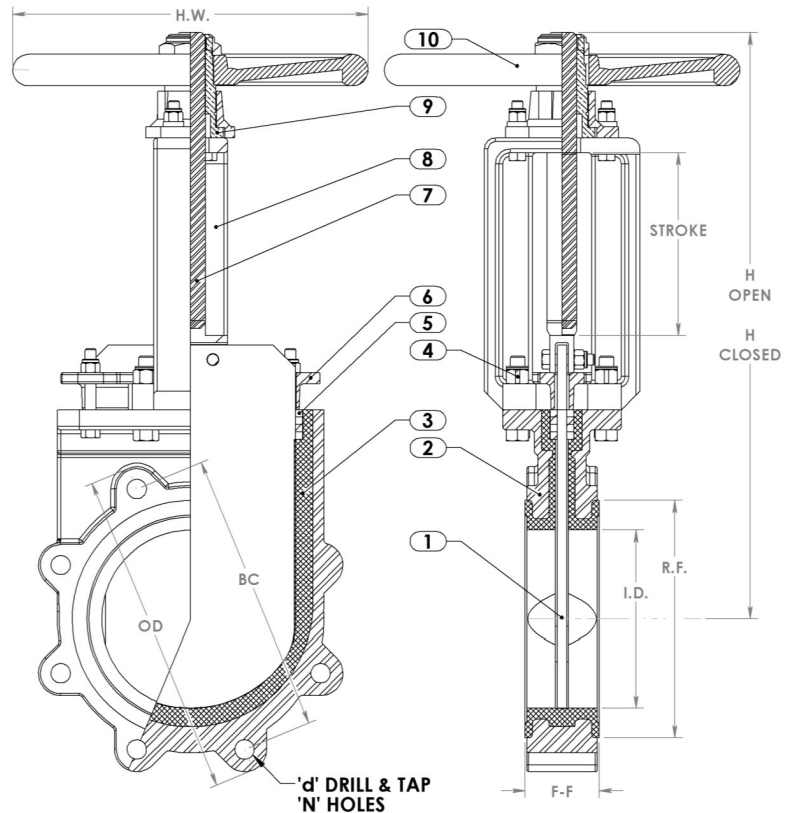
## LVC Figure 65 Urethane Lined Ductile Iron Body Knife Gate Valve

### Materials of Construction

Model	65
1 Gate	SS
2 Body	DI
3 Seat	Urethane
4 Bolts	Plated
5 Packing	TLSP*
6 Gland	DI
7 Stem	SS
8 Yoke	DI
9 Stem Nut	Bronze
10 Handwheel	DI

\*TLSP = TFE Lubricated Synthetic Packing

Normally supplied with handwheel for manual operation, but can be modified for chain wheel, bevel gear, fail safe spring cylinder, electric motor, hydraulic or pneumatic cylinder operator.



### Dimensions (Inches) and Weights

	Size	2	3	4	6	8	10	12	14	16	18	20	24
Face-to-Face	F-F	1-7/8	2	2	2-1/2	2-3/4	2-3/4	3	3	3-1/2	3-1/2	4-1/2	4-1/2
Flange OD	OD	6	7-1/2	9	11	13-1/2	16	19	21	23-1/2	25	27-1/2	32
Bolt Circle	BC	4-3/4	6	7-1/2	9-1/2	11-3/4	14-1/4	17	18-3/4	21-1/4	22-3/4	25	29-1/2
Flanged Raised Face	RF	3-1/4	4-1/4	6-3/16	8-1/2	10-5/8	12-3/4	15	16-1/4	18-11/16	20-1/4	22-1/2	27
Inside Diameter	ID	2	3	3-3/4	6	7-3/4	9-3/4	11-3/4	13-1/4	15	17-1/4	19-1/4	23-1/4
No. of Bolt Holes	N	4	4	8	8	8	12	12	12	16	16	20	20
Hole D&T Size	D	5/8"-11	5/8"-11	5/8"-11	3/4"-10	3/4"-10	7/8"-9	7/8"-9	1"-8	1"-8	1-1/8"-7	1-1/8"-7	1-1/4"-7
C/L to Top-Closed	H-CLS	13-7/8	14-5/8	17-1/4	20-1/8	24-3/8	29	32-7/8"	36-3/4	41	47	51-3/4	58-3/4
C/L to Top-Open	H-OPN	16	17-11/16	21-3/16	26-1/2	32-5/8	39	45	50-1/4	56-1/4	64-1/2	72-1/4	82-1/4
Handwheel Dia.	H/W	8	8	12	16	16	16	16	24	24	24	24	24
Weight - lbs	WT	20	29	46	75	118	180	295	345	420	545	805	1150
Stroke	S	2-1/8	3-1/16	3-15/16	6-3/8	8-1/4	10	12-1/8	13-1/2	15-1/4	17-1/2	20-1/2	23-1/2

The trademarks, logos and service marks displayed in this document herein are the property of Henry Pratt Company, LLC, its affiliates or other third parties. Products above marked with a section symbol (§) are subject to patents or patent applications. For details, visit [www.mwppat.com](http://www.mwppat.com).

Copyright © 2016 Henry Pratt Company, LLC. All Rights Reserved.

Form 13245 9/2016